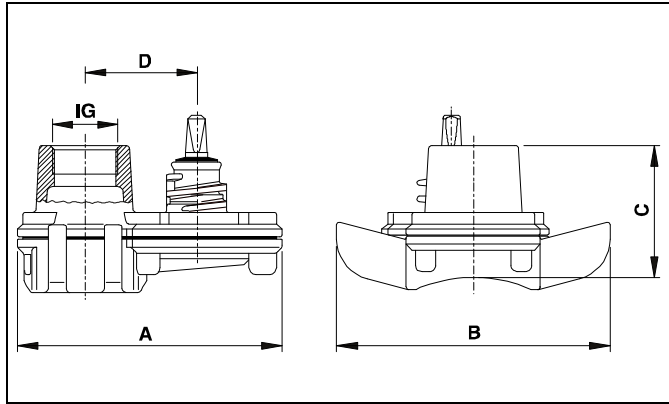


# Accessories

## Pipe Drilling Saddles



**Model 240**  
**Universal HAWLINGER® pipe drilling saddle with integrated shut-off**



**Features:**  
 Material: Ductile Iron (GJS-400) with internal and external epoxy powder coating  
 Medium: Potable Water  
 Maximum Operating Pressure: 250 PSI (17.2 Bar)  
 For Cast Iron, Ductile Iron and Steel pipes of 3" – 10" (DN 65 – 500) diameter.  
 Strap and saddle gasket not included – order Model 310, separately.

**Advantages:**  
 Use as isolation valve and tapping saddle under pressure.

Type	Outlet	A Inch / mm	B Inch / mm	C Inch / mm)	D Inch / mm	Max. Bore Diameter Inch / mm	Weight lbs. / kg
01	1" FNPT	6.5" 165 mm	7.9" 200 mm	3.7" 95 mm	2.7" 68 mm	1.0" 25 mm	9.5 lbs. 4.3 Kg
02	1 1/2" FNPT	7.7" 195 mm	7.9" 200 mm	3.7" 95 mm	3.2" 82 mm	1.5" 36 mm	11.9 lbs. 5.4 Kg