

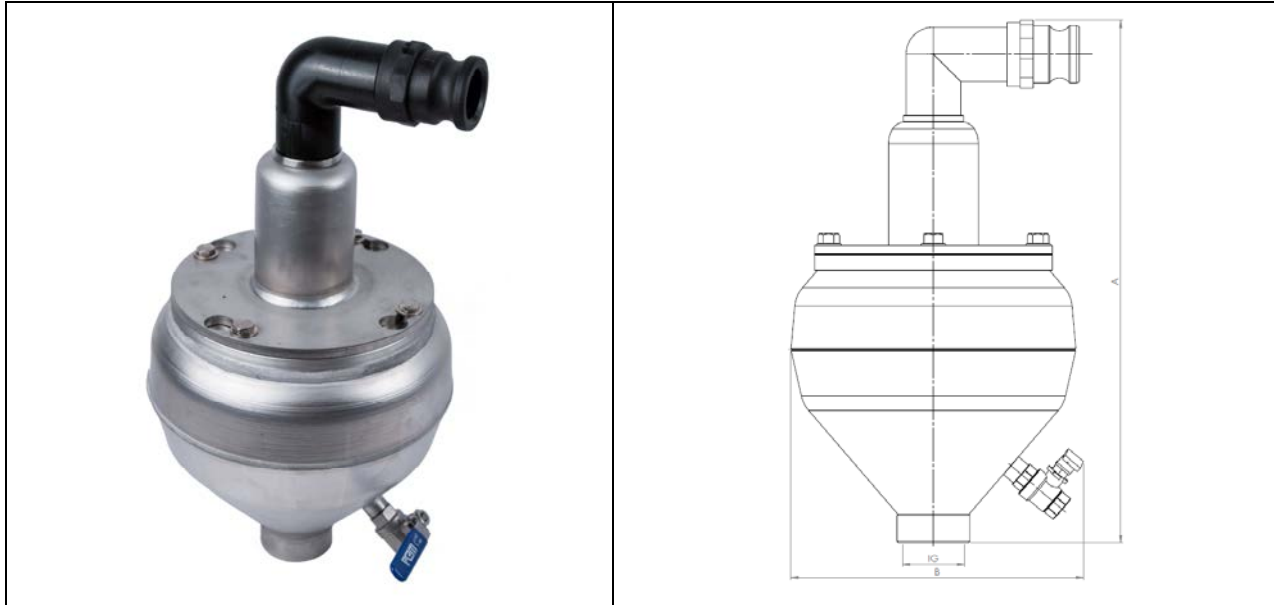
Automatic Air and Vacuum Valve for Waste Water



Model 989-00

Automatic air release and vacuum valve, short body, ss 316,

**for operating ranges: 0 – 150 PSI (10 Bar),
outdoor application possible**



Type	Size ANSI	Range Of Pressure PSI/Bar	Overall Height A Inch/mm	Overall Width B Inch/mm	Weight lbs./Kg
Thread	2" FNPT	0 – 150 PSI 0 – 10 Bar	18.9" 480 mm	10.4" 265 mm	21.6 lbs. 9.8 Kg

Features:

- Automatic and infinitely variable air valve for waste water applications.
- Recommended for outdoor application in frost-free areas.
- Maximum Operating Pressure: 150 PSI (10 Bar)
- Operating Range: 0 – 150 PSI (0 - 10 Bar)
- Valve body of stainless steel 316
- Valve seat does not contact the medium (air cushion).
- All mechanical parts are manufactured of corrosion-resistant materials.

Valve Maintenance:

Air valves must be tested for function and maintained at least once per year.

Automatic Air and Vacuum Valve for Waste Water



Materials:

No.	Component	Material
1	Body	Stainless Steel, 316
2	Cup seal, Diaphragm	HNBR
3	Float	Polypropylen (PP)
4	Hex Head Bolt	Stainless Steel, 316
5	Outlet elbow with screen	Polyethylene (PE)

Infinitely variable surge protection

In general understanding the surge protection of an ARV is a measure taken to protect the pipeline system. Filling of the pipeline should be within international standards to prevent water hammer (5ft/s) or (0,25m/s) and correct opening and closing of valves is fundamental.

The design of the H-TEC model 989 ARV allows for large volumes of air (in/out). The unique function for infinite air release/intake, due to the automatic movements of the diaphragm in operation modus, (e.g. fluid level rises, diameter of orifice is reducing infinitely variable) soft sealing and slowing the water column preventing water hammer.

Traditional ARV's operate with two functions: open or closed. The rubber diaphragm of the H-TEC model 989 is infinitely variable operating. In case of increased velocity in the valve the float will lift slow and throttle down the air flow. This function slows the water column, water hammer from this ARV will not occur. The H-TEC model 989 ARV has an integrated pressure spring on the vertical shaft attached to the float. This mechanical feature protects from vibrations, smooth function, prevents amplified movements. No additional surge prevention unit necessary.

