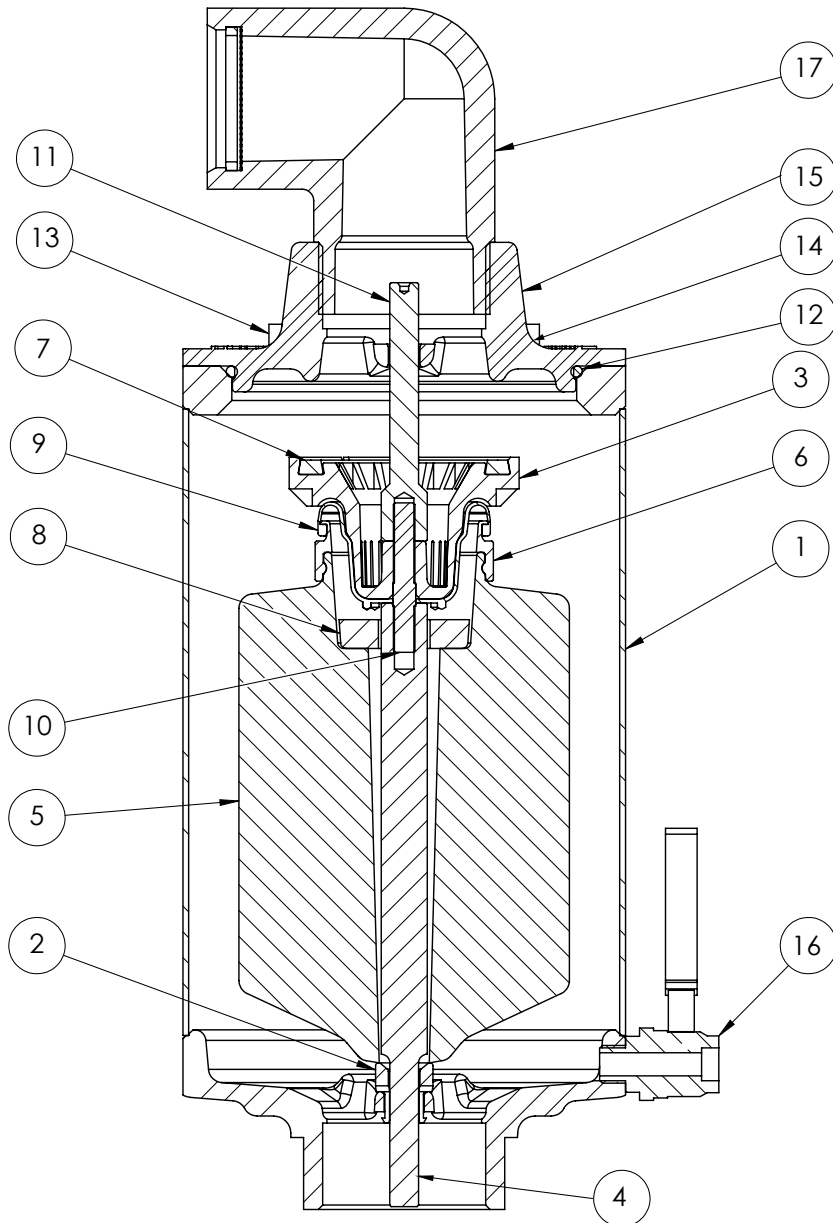


Air release valve HaVent® (PN 16)

Part list

993-00



Item	Piece	Description	Material
1	1	housing central part	stainless steel
2	1	closing sleeve	POM
3	1	valve basket	POM
4	1	post rod	POM
5	1	Float	PP
6	1	Diaphragm cup adapter	POM
7	1	Cup gasket	EPDM
8	1	Shim	POM
9	1	Diaphragm cup	EPDM
10	1	grub screw M8x30	stainless steel
11	1	Guide valve basket	POM
12	1	O-ring 116x4	EPDM
13	2	hexagon screw 8x16	stainless steel
14	5	flat washer	stainless steel
15	1	housing upper part	stainless steel
16	1	ball valve 1/4"	Ms
17	1	Outlet elbow with strainer d 63 with female thread 2"	PE