

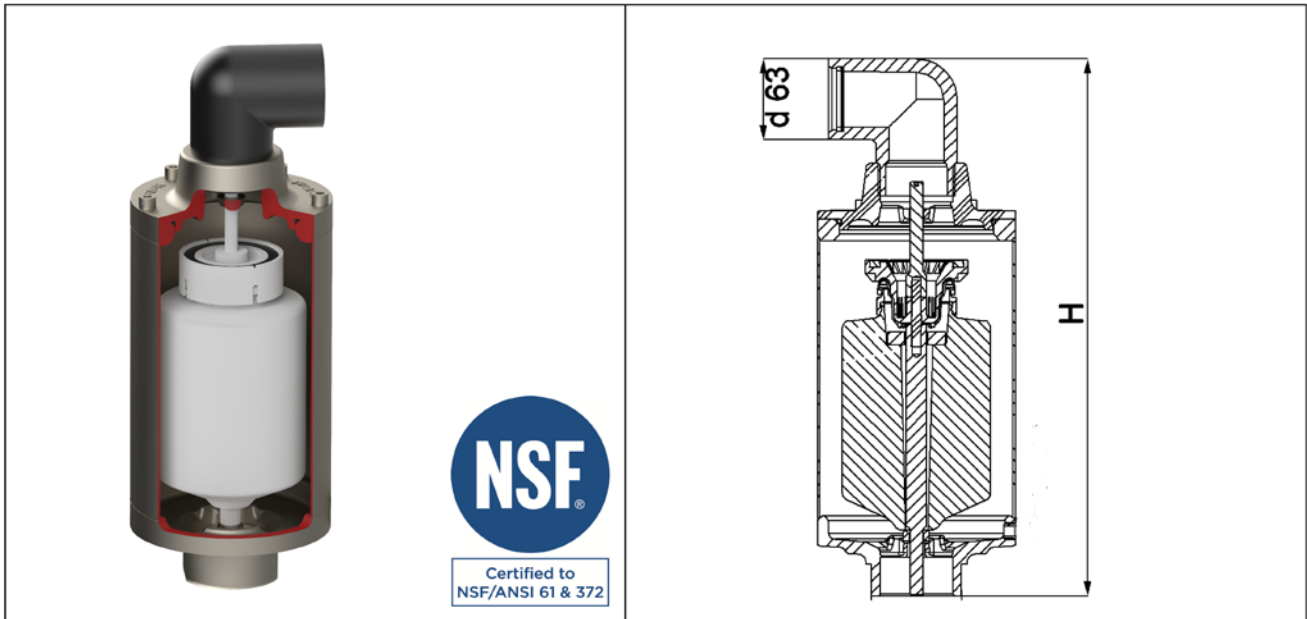
Automatic Air and Vacuum Valve for Potable Water



Model 993



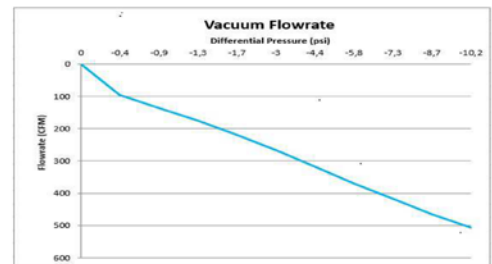
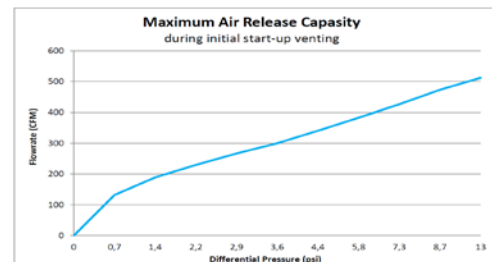
HaVent[®] - Automatic and infinitely variable air valve for potable water
for operating range: 6 – 360 PSI (PN 25)



Type	Size ANSI	Range Of Pressure PSI/Bar	Overall Width Inch/mm	Overall Height H Inch/mm	Weight lbs./Kg
Thread	2" FNPT	6 – 360 PSI 0.2 – 25 Bar	6" 154 mm	16.5" 420 mm	24 lbs. 11 Kg

Materials:

Component	Material
Body	Stainless steel 316
Diaphragm	EPDM
Float	Polypropylene
Outlet elbow with screen	Polyethylene



Automatic Air and Vacuum Valve for Potable Water



HaVent[®] Valve mechanism

Large outlet cross section for maximum air release and intake capacity during pipeline filling or draining.

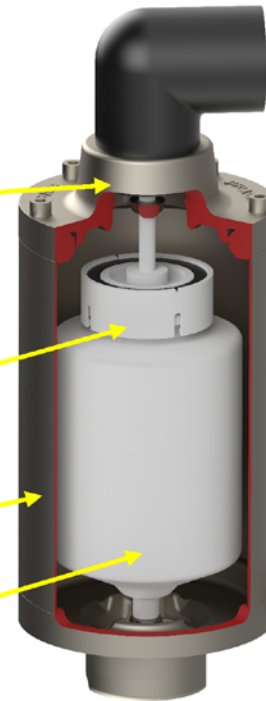
Transverse section: 2.3 in²

Air release cross section for reliable air release during operation.

Traverse section: 0.005 in²

Corrosion resistant body of stainless steel 316

Robust float of Polypropylene



HAVENT 360 psi version

HaVent[®] Performance features



- Very high air release and intake during operation infinitely variable from 6 to 360 psi (25 bar)
- Max. air release capacity: 5,000 gal/m (670 cfm)
- Vacuum breaking function
- Corrosion resistant materials
- Ultraviolet resistance
- Ease of maintenance
- Virtually spill proof