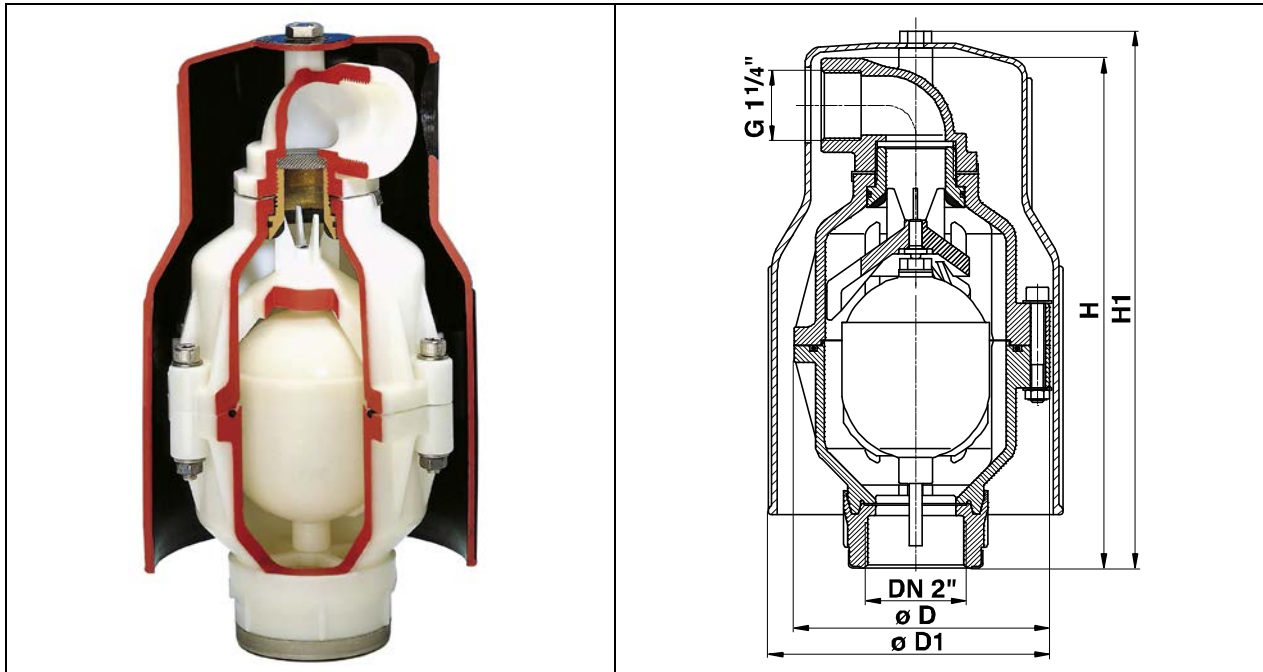


Automatic Air and Vacuum Valve for Potable Water



Model 997-00

2" Automatic air release and vacuum valve



Type	Inlet	Maximum Operating Pressure In PSI (Bar)	Ø D Inch/mm	Ø D1 Inch/mm	H Inch/mm	H1 Inch/mm	Weight kg/lbs
Thread	2" FNPT	14.5 – 250 PSI 1.0 – 17.2 Bar	6.3" 160 mm	6.9" 175 mm	12.0" 305 mm	12.6" 320 mm	5.18 lbs. 2.35 Kg

Features:

Material:

Body and outlet elbow: Delrin® (POM)

Seat: Brass

Float: Delrin® (POM)

Seal: Ethylene Propylene Diene Monomer (EPDM)

Protective cover: Polyethylene (PE)

Screen: Stainless Steel

Maximum Air Release Capacity: 112 CFM (190 m³/hr)

Test pressure: 350 PSI (24.1 Bar)

Operating pressure: 14.5 – 250 PSI (1.0 – 17.2 Bar)

Maximum Temperature of Medium: 86° F (30° C), Potable Water