

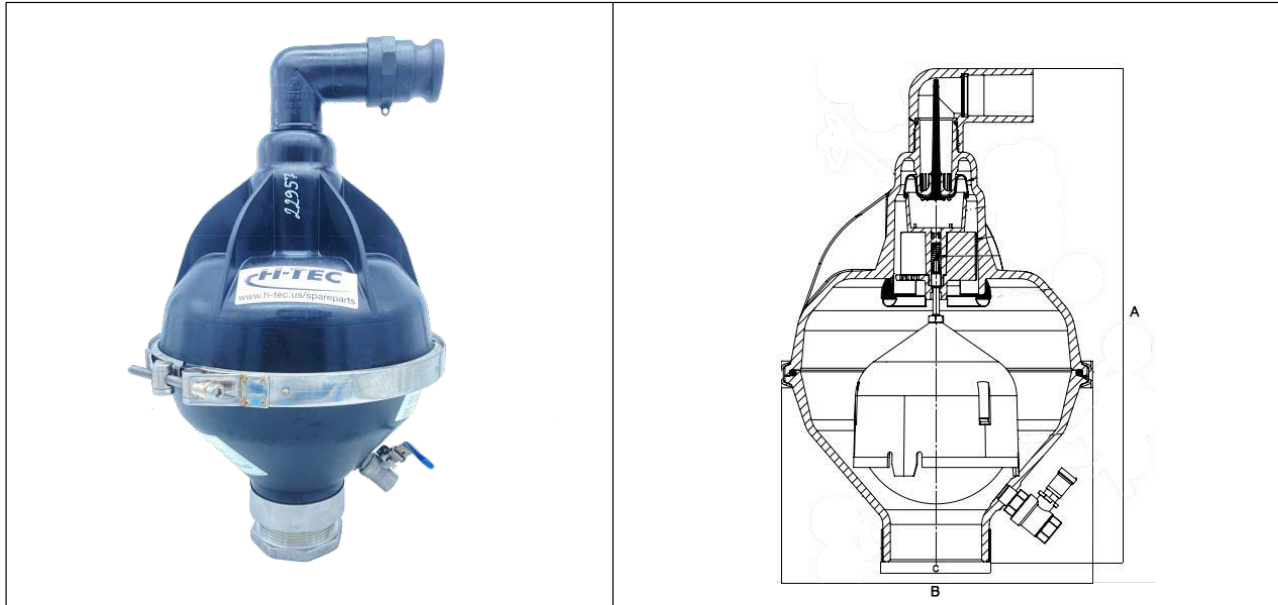
Automatic Air and Vacuum Valve for Waste Water



Model 989-01 PA66

Automatic air release and vacuum valve, short body,
Fiberglass Reinforced PA66

for operating ranges: 0 – 150 PSI (10 Bar),
outdoor application possible



Type	Size C FNPT	Range Of Pressure PSI/Bar	Overall Height A Inch/mm	Overall Width B Inch/mm	Weight lbs./Kg
Thread	2" and 3" FNPT	0 – 150 PSI 0 – 10 Bar	19.5" 495 mm	11.5" 292 mm	13.5 lbs 6 kg

Features:

- Automatic and infinitely variable air valve for waste water.
- Valve comes with a 316 Stainless Steel bushing allowing a 2" or 3" FNPT connection.
- The low weight of the air valve allows for an easy and quick install.
- Recommended for outdoor application in frost-free areas.
- Maximum Operating Pressure: 150 PSI (10 Bar)
- Operating Range: 0 – 150 PSI (0 - 10 Bar)
- Valve body made of fiberglass reinforced PA 66.
- Valve seat does not contact the media (air cushion).
- All mechanical parts are manufactured of corrosion-resistant materials.

Valve Maintenance:

- The valve can be quickly opened and closed during maintenance and cleaning due to the profile clamp made of stainless steel.
- Air valves must be tested for function and maintained at least once per year.

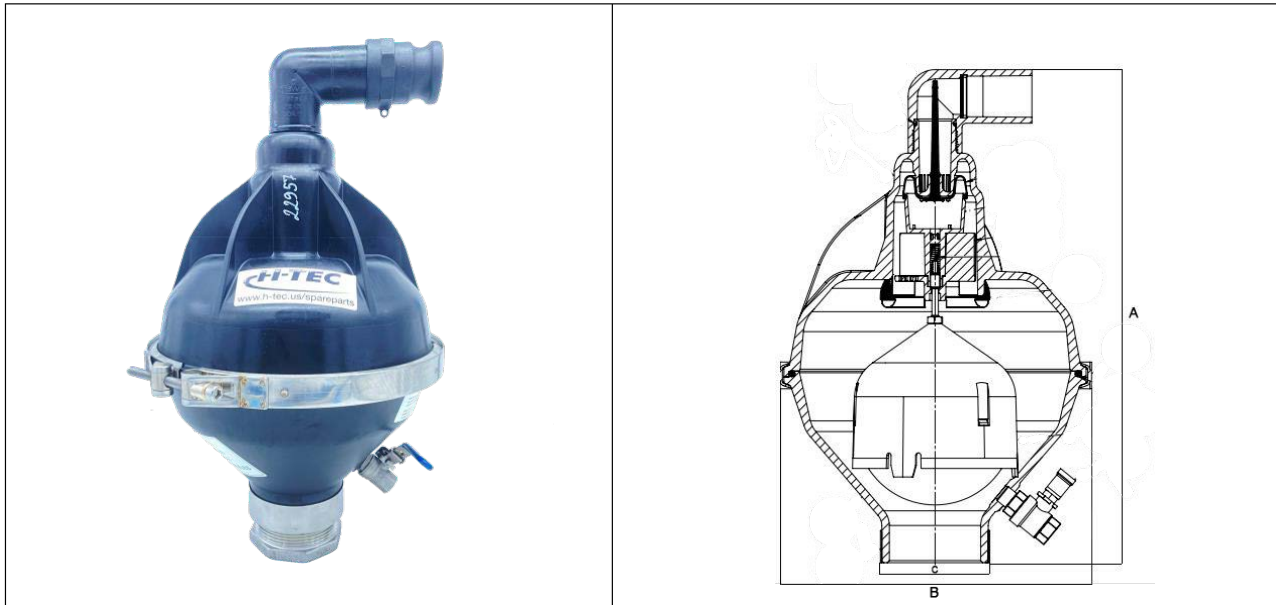
Automatic Air and Vacuum Valve for Waste Water



Model 989-01 PA66

Automatic air release and vacuum valve, short body,
Fiberglass Reinforced PA66

for operating ranges: 0 – 150 PSI (10 Bar),
outdoor application possible



Type	Size C FNPT	Range Of Pressure PSI/Bar	Overall Height A Inch/mm	Overall Width B Inch/mm	Weight lbs./Kg
Thread	2" and 3" FNPT	0 – 150 PSI 0 – 10 Bar	19.5" 495 mm	11.5" 292 mm	13.5 lbs 6 kg

Features:

- Automatic and infinitely variable air valve for waste water.
- Valve comes with a 316 Stainless Steel bushing allowing a 2" or 3" FNPT connection.
- The low weight of the air valve allows for an easy and quick install.
- Recommended for outdoor application in frost-free areas.
- Maximum Operating Pressure: 150 PSI (10 Bar)
- Operating Range: 0 – 150 PSI (0 - 10 Bar)
- Valve body made of fiberglass reinforced PA 66.
- Valve seat does not contact the media (air cushion).
- All mechanical parts are manufactured of corrosion-resistant materials.

Valve Maintenance:

- The valve can be quickly opened and closed during maintenance and cleaning due to the profile clamp made of stainless steel.
- Air valves must be tested for function and maintained at least once per year.