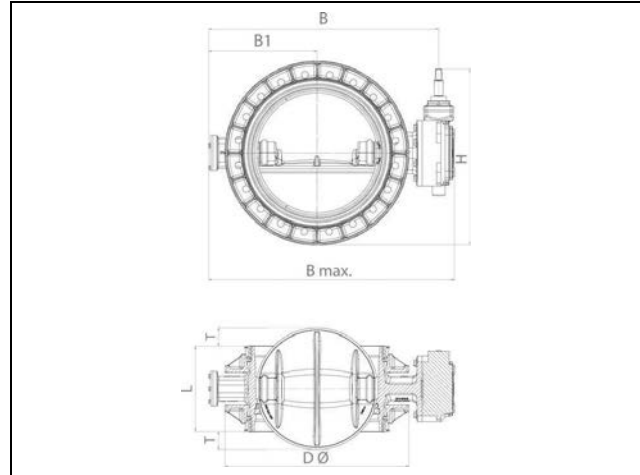


# Accessories

## Butterfly Valve



### Model 500 PRO KLAPPE® butterfly valve with restraint loose flanges



#### Features:

The PRO KLAPPE® butterfly valve is provided with a proportional action sealing system. The sealing is accommodated in the body of the butterfly valve. When open, the same pressure is admitted to the butterfly valve from all sides, thus reliably preventing unintended deformations of the gasket. As soon as the PRO butterfly valve is moved to closed position, the valve seal is pressed against the valve disc. The contact pressure depends on the water pressure.

The proportional action sealing system ensures reliable sealing, on the one hand, and a long service life due to low wear of the sealing, on the other hand.

The PRO KLAPPE® butterfly valve is provided with the same loose flange system as the exchange gate valve. Therefore, apart from being used in new constructions, the butterfly valve is mainly suitable for exchanging existing valves. The flat gaskets are already included in the barrel gaskets. Therefore, no keying is required between the flanges.

Moreover, the loose flange system has some advantages in terms of storage.

Apart from its real function as shut-off valve, the PRO KLAPPE® butterfly valve can also be used as dismantling piece because of the integral loose flange system (no additional dismantling piece required).

Face-to-face dimension: standard series 14 acc. to DIN EN 558-1. Flange mating dimensions: acc. to EN 1092-2

Please note: handwheel is not included in the scope of supply (see product supplements)!

#### Material:

Body / loose flanges: GJS-400, epoxy powder coated

Disc/shaft: stainless steel

Seat seal: EPDM (reinforced by a ring of stainless steel)

Supporting ring: DN 200: of POM, DN 500 and higher: stainless steel

Barrel gasket: EPDM

Size	B max Inch / mm	L Inch / mm	B Inch / mm	B1 Inch / mm)	H Inch / mm	D Inch / mm	Weight lbs. / kg
DN 150	15" 381 mm	8.3" 210 mm	13.4" 341 mm	6.1" 156 mm	13.2" 336 mm	11.2" 285 mm	49.4 lbs. 22.4 Kg
DN 200	18.1" 460 mm	9" 230 mm	16.2" 412 mm	7.6" 192 mm	14.4" 366 mm	13.6" 345 mm	97 lbs. 44 Kg
DN 300	22.6" 573 mm	10.6" 270 mm	20.4" 520 mm	9.6" 245 mm	17.6" 446 mm	17.9" 455 mm	183 lbs. 83 Kg
DN 400	29.3" 744 mm	12.2" 310 mm	27.4" 696 mm	13" 329 mm	23" 585 mm	22.8" 580 mm	344 lbs. 156 Kg
DN 500	36.4" 925 mm	13.8" 350 mm	33.7" 855 mm	15.7" 400 mm	31.8" 807 mm	28.1" 715 mm	675 lbs. 306 Kg
DN 600	44.7" 1135 mm	15.3" 390 mm	41.3" 1049 mm	19.5" 494 mm	35" 888 mm	33" 840 mm	992 lbs. 450 Kg